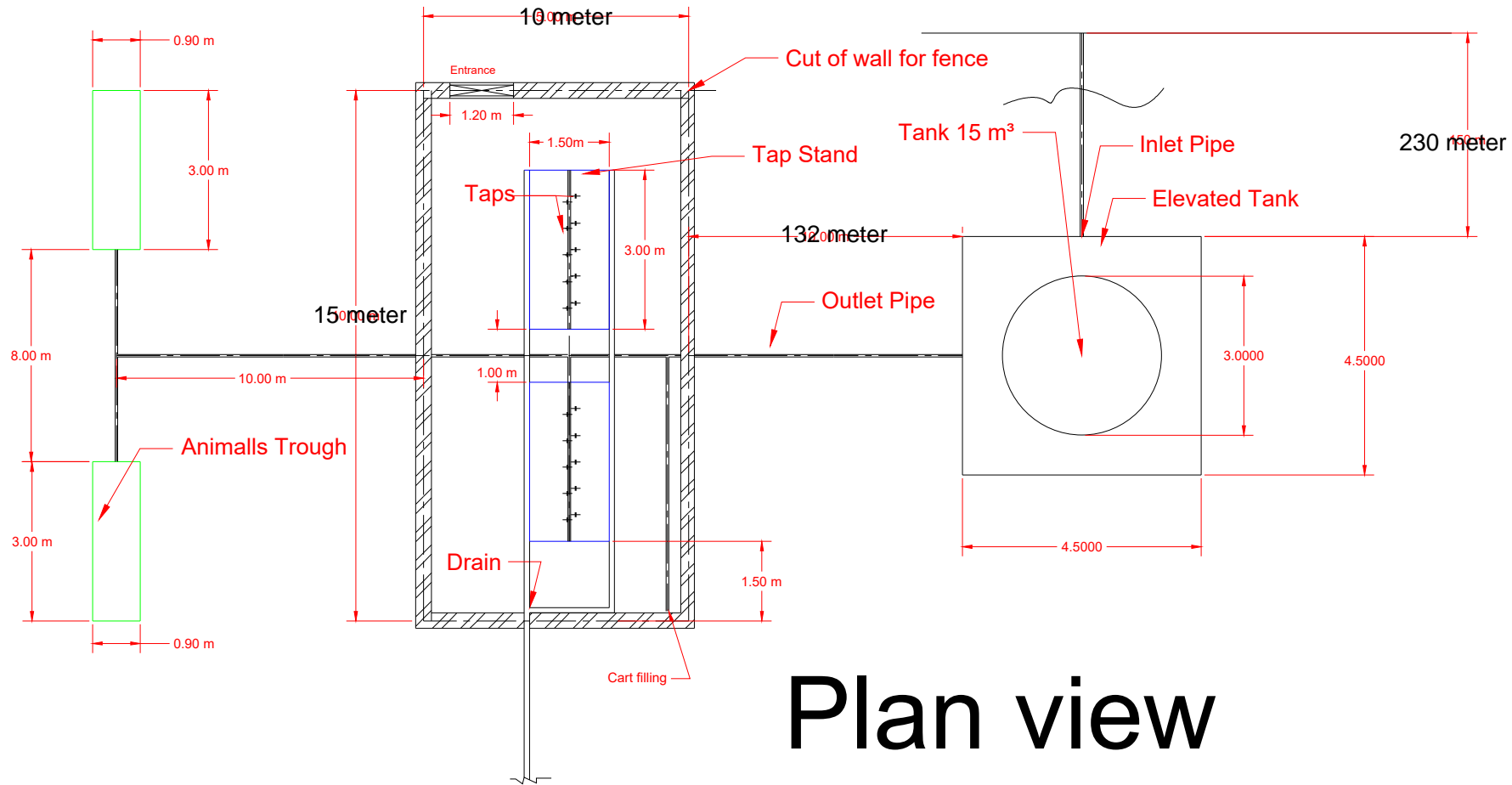


Water Yard



Plan view

General Notes

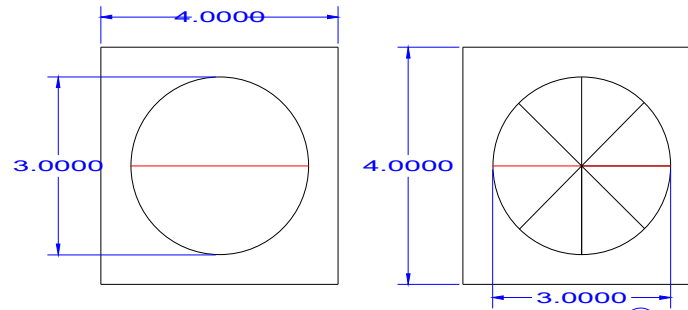
ALL Dimension
in meter
All reinforced
concrete
should
be 30 N/mm
per 28 days
and 20 N/mm for
plan concrete
curing 3 time per
day for 7 days

No.	Revision/Issue	Date

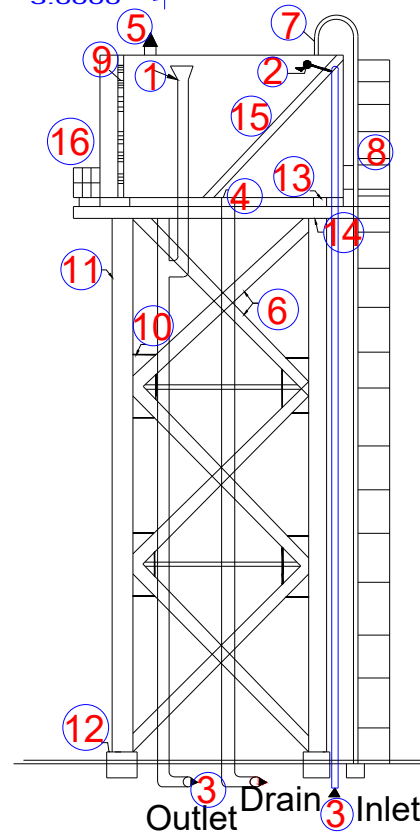
Site Name and Address

Project Name and Address
Moafa III
Construction
of Water Yard

Project CRS Zalingei	Sheet
Date 24 July,2024	1
Scale 1:1	



No.	
1	OVER FLOW PIPE
2	FLOAT LEVEL VALVE
3	OUTLET INLET PIPE
4	WASH PIPE
5	VENT PIPE
6	DIAGONAL BRACER 175 X 175 X 8 mm
7	MANHOLE COVER 80 X80 cm
8	EXTERNAL LADDER
9	WATER LEVEL INDICATOR
10	GUSSET PLATES 8 mm THICK
11	I section 20 cm
12	HD BOLT BOX 80 X 25 mm
13	I section 16 cm
14	I section 20 cm
15	INTERNAL LADDER
16	BALCONY



General Notes

ALL Dimension
in meter
All reinforced
concrete
should
be 30 N/mm
per 28 days
and 20 N/mm for
plan concrete
curing 3 time per
day for 7 days

No.	Revision/Issue	Date

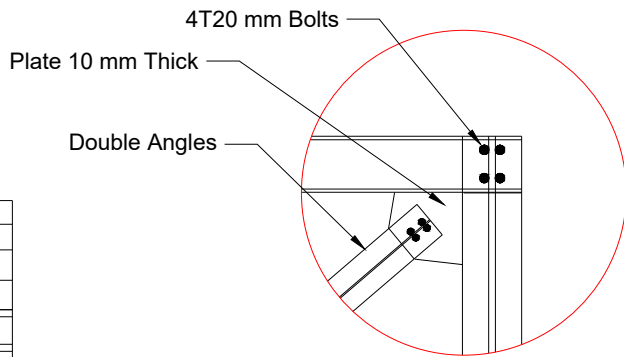
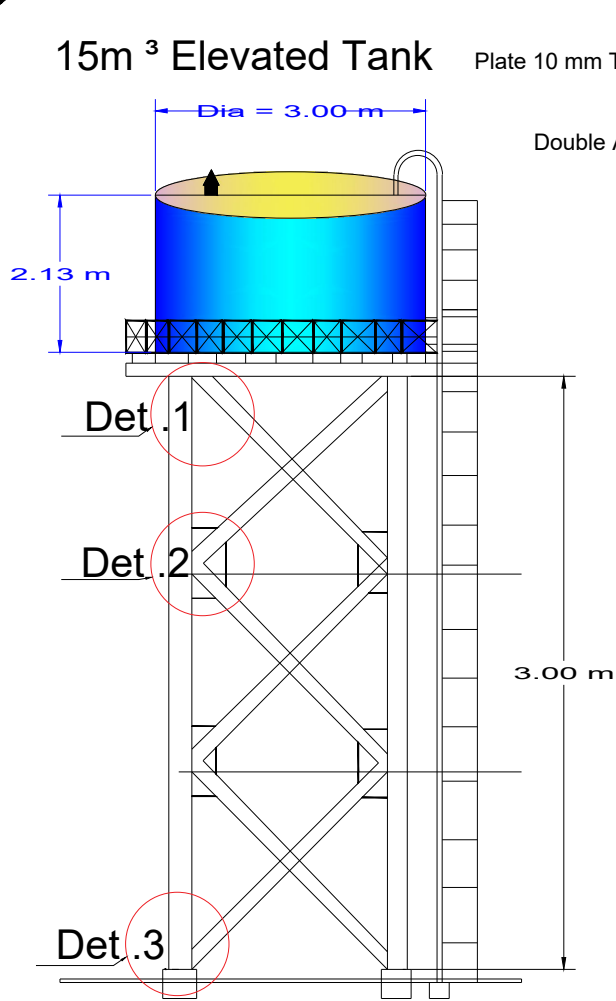
Firm Name and Address

Project Name and Address
Moafa III
Construction
of Water TOWER

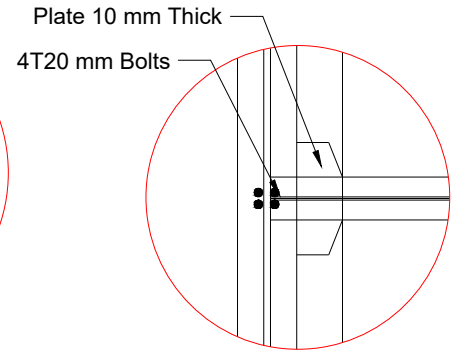
Project	CRS_Zaingei	Sheet
Date	24 July,2024	2
Scale	1:1	

Water Tower Detail

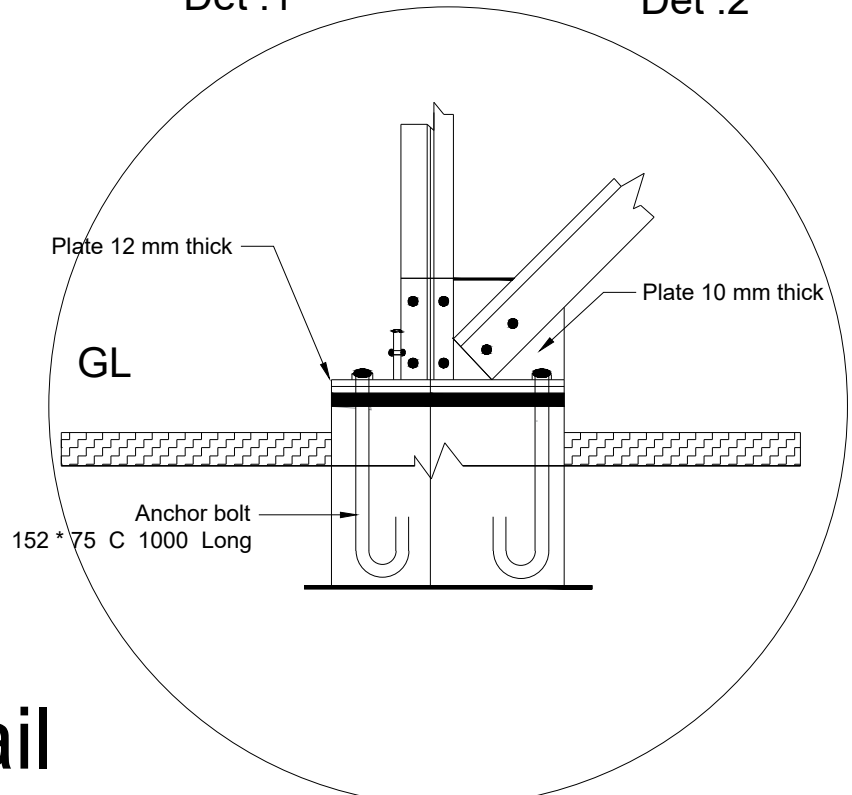
15m³ Elevated Tank



Det .1



Det .2



Det .3

Water Tower Detail

General Notes

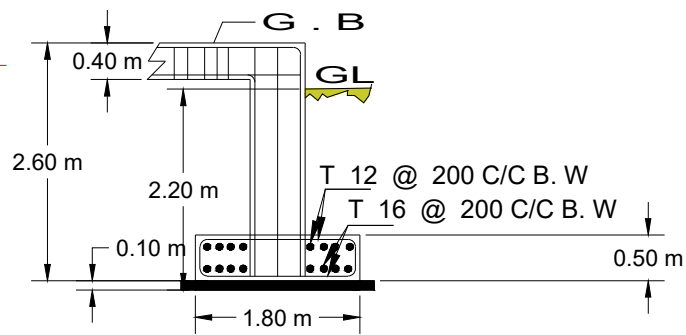
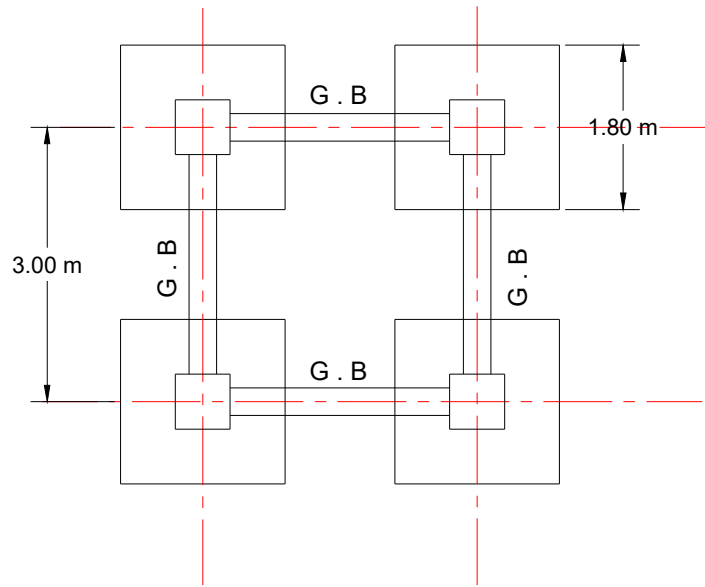
ALL Dimension in meter
 All reinforced concrete should be 30 N/mm per 28 days and 20 N/mm for plan concrete curing 3 time per day for 7 days

No.	Revision/Issue	Date

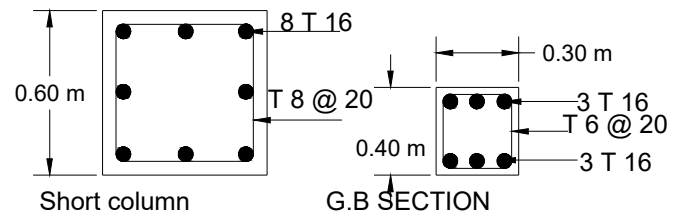
Firm Name and Address

Project Name and Address
 Moafa III
 Construction
 of Water TOWER

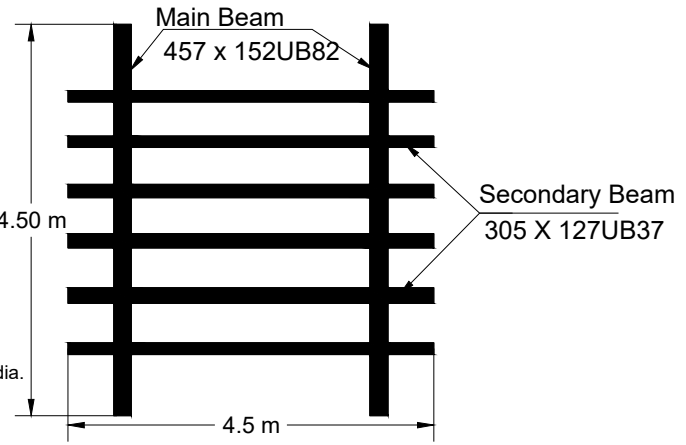
Project CRS Zalingei	Sheet 3
Date 24 July,2024	
Scale 1:1	



Frame Top View



4 Anchor Bolts 20 mm dia.
620 mm long



FOUNDATION DETAIL

General Notes

ALL Dimension
in meter
All reinforced
concrete
should
be 30 N/mm
per 28 days
and 20 N/mm for
plan concrete
curing 3 time per
day for 7 days

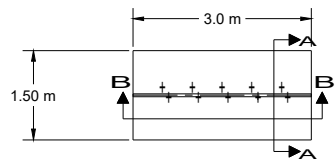
No.	Revision/Issue	Date

Client Name and Address

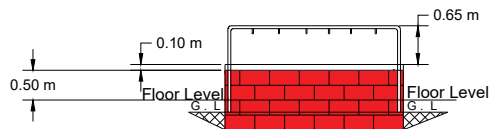
Project Name and Address
Moafa III
Construction
of Water TOWER

Project	Sheet
CRS Zalingei	4
Date	24 July.2024
Scale	1:1

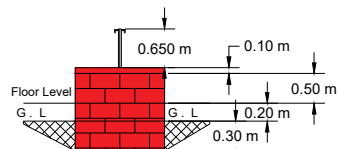
TAP STAND DETAIL



Tap Stan Plan View

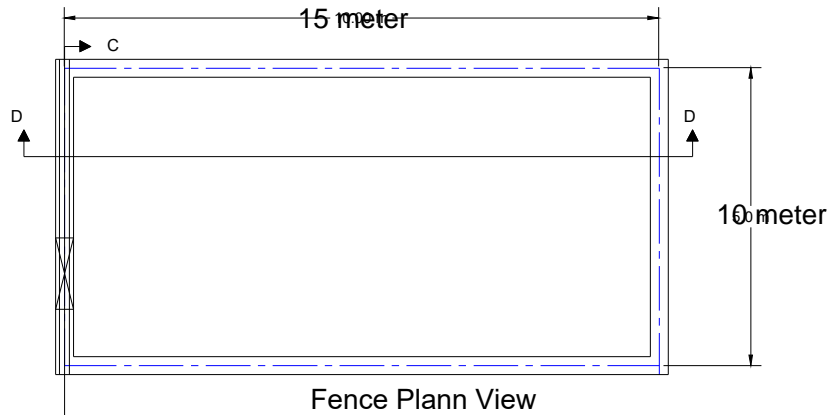


Section B - B

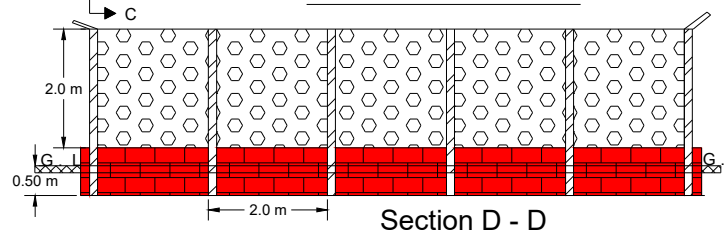


Section A - A

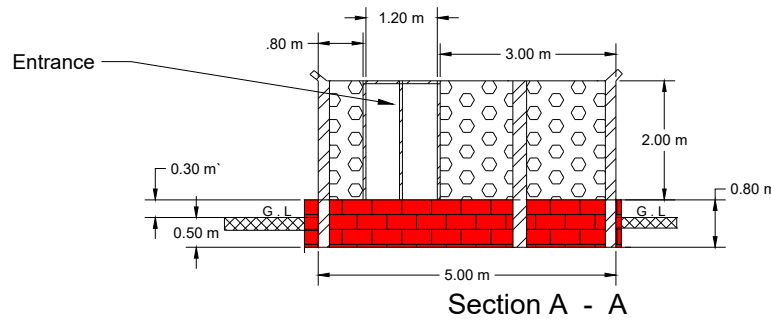
FENCE DETAIL



Fence Plan View



Section D - D



Section A - A

General Notes

ALL Dimension in meter
All reinforced concrete should be 30 N/mm per 28 days and 20 N/mm for plan concrete curing 3 time per day for 7 days

No.	Revision/Issue	Date

Firm Name and Address

Project Name and Address

Moafa III
Construction of
WaterYard Fence
& Tap Stand

Project CRS Zalingei

Date 24 July.2024

Scale 1:1

Sheet 5